

Centrifugally Lift Off Sprags Freewheels

RIZ..ESG2



Back of
RIZ..ESG2

TYPE



Type RIZ..ESG2 is a centrifugal lift off sprag type freewheel when the inner race is overrunning. Only this race is designed for freewheeling.

It is a self-contained unit designed for overrunning clutch applications. Typically used in crawl drives where the overrunning speed is high, but the drive speed is low and does not exceed the maximum driving speed specified in the table.

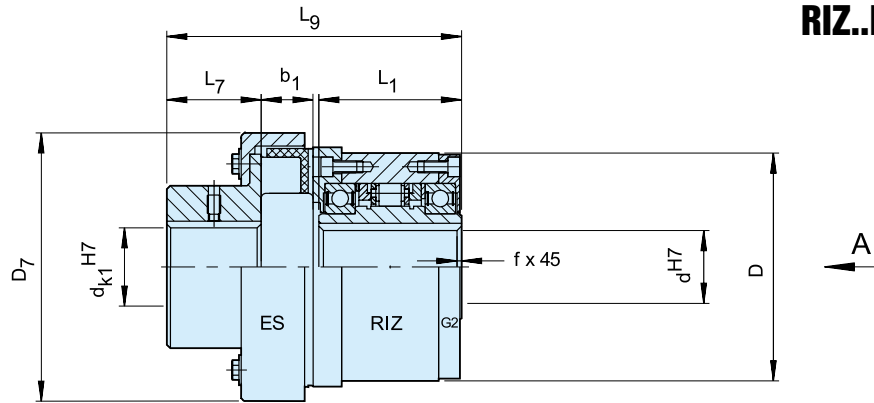
It is a type RIZ (see page 82 for further information) equipped with an ES elastic coupling and a cover G2. The ES type is a rugged coupling, economical and suitable for many applications.

The inner race must overrun and will be connected to the driven machine shaft. When ordered complete, the unit is delivered grease lubricated, ready for either horizontal or vertical installation.

Centrifugally Lift Off Sprags Freewheels

RIZ..ESG2

RIZ..ESG2



Coupling half: keyway tolerance P9

Type	Type		Speeds						Weight					
	d_{K1}^{H7} [mm]	ES	T_{KN} [Nm]	$n_{max}^{1)}$ [min ⁻¹]	$n_{min}^{2)}$ [min ⁻¹]	$n_{max}^{3)}$ [min ⁻¹]	d_{K1}^{H7} [mm]	D [mm]	L ₁ [mm]	D ₇ [mm]	L ₇ [mm]	L ₉ [mm]	b ₁ [mm]	Weight [kg]
RIZ..ESG2	30	10	80	290	700	9000	10.. 45	100	68	117	48	133,5	17	5,0
	35	16	250	280	670	8500	10.. 50	110	74	129	52	143,5	19	6,6
	40	25	400	260	630	7500	15.. 55	125	86	134	57	163,5	22	9,9
	45	40	625	255	610	6700	20.. 60	130	86	155	61	171,5	26	11,3
	50	63	1000	235	560	6000	20.. 70	150	94	175	67	194	30	16,7
	60	100	1600	210	510	5300	25.. 75	170	114	196	75	227	35	24,0
	70	160	2500	195	470	4000	30.. 80	190	134	223	82	261,5	41	32,5
	80	400	5000	155	375	4000	45.. 100	210	144	290	97	305	56	52
	90	630	7500	145	350	3000	60.. 120	230	158	330	116	346,5	64	78
	100	1000	12500	140	340	2400	75.. 140	270	182	378	140	386	75	136
	130	1600	20000	130	320	2400	90.. 160	310	212	432	160	442	85	199

NOTES

- 1) This maximum allowable torque transmission speed n_{max} must not be exceeded when transmitting torque
- 2) Inner race
This minimum allowable overrunning speed n_{min} should not be reduced under continuous operation.
Possible reduction of this minimum speed on request
- 3) Inner race
Keyway to DIN 6885.11

When ordering, please specify d_k bore diameter and direction of rotation seen from arrow „A“: „R“ Inner race overruns in clockwise direction, „L“ Inner race overruns in counterclockwise direction

» Refer to mounting and maintenance instructions page 12 to 13

MOUNTING EXAMPLE

